



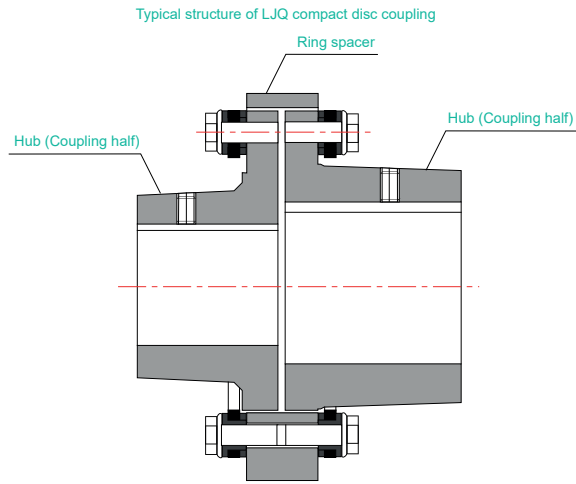
Trumy Disc Couplings Ljq series

Ljq BENEFITS

- Double disc pack
- Easy to assemble / disassemble
- Good misalignment compensating
- Short distance between shaft ends
- Suitable to use in corrosive environment
- Used to replace non metal, elastic coupling

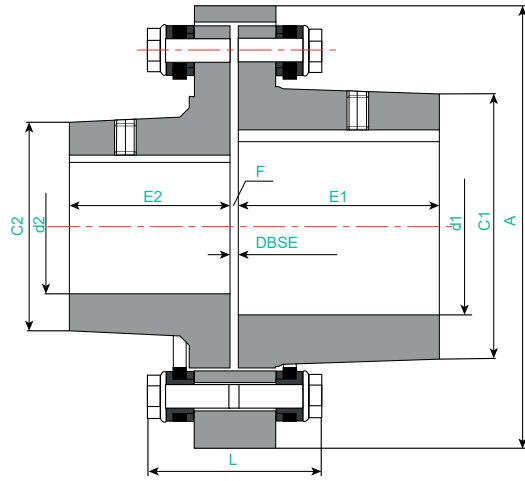
Intertech B.V.
Gildenveld 19
3892 DC Zeewolde
The Netherlands

T: +31(0)36 522 5885
E: info@intertech.nl
W: www.intertech.nl



LJQ SERIES COUPLING TECHNICAL DATA

Coupling type	Continuous Torque rating (Nm)	Max. speed (rpm)		Max. flange diameter A	Max. bore d	Distance between flange ends (DBFE) F	Range of distance between shaft ends (DBSE)	L	Total weight (Kg)	Angular misalignment		Axial displacement	
		Unbalanced	Balanced							Max. degree	Restoring moment (Nm/deg)	Max. ±mm	Axial force (N)
LJQ-011	100	3600	9900	107	38	5	≤ 15	-	2.9	1.0	114	3.0	374
LJQ-027	250	3600	8000	132	48	5	≤ 15	-	4.7		124	3.5	422
LJQ-047	450	3600	7200	150	55	5	≤ 15	-	6.7		147	4.0	628
LJQ-130	1250	3600	5400	170	65	5	≤ 25	78.4	8.8	0.5	710	2.0	385
LJQ-270	2500	3600	5400	216	80	5	≤ 25	98.4	16.4		987	2.4	590
LJQ-580	5600	3000	4500	260	100	5	≤ 25	115.6	29.7		1059	2.4	600
LJQ-1500	14000	1800	3600	325	130	5	≤ 25	140.8	59.8		4645	3.0	1440

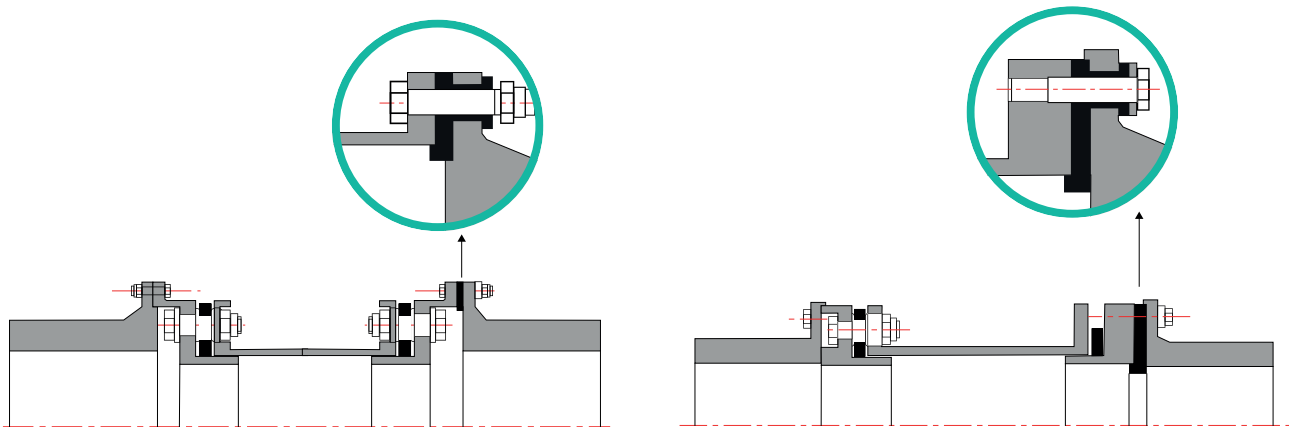


LJQ SERIES COUPLING DIMENSIONS (mm)

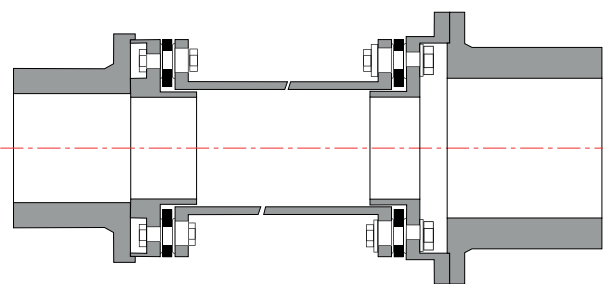
Standard hub dimension (mm) & weight (Kg)

Coupling type	Small hub				Large hub			
	max. d2	C2	E2	Weight with max. bore	max. d1	C1	E1	Weight with max. bore
LJQ-011	-	-	-	-	38	56	50	0.6
LJQ-027	-	-	-	-	48	70	60	1.1
LJQ-047	-	-	-	-	55	80	70	1.7
LJQ-130	-	-	-	-	65	88	80	2.6
LJQ-270	65	88	80	3.9	80	108	100	5.1
LJQ-580	80	108	100	7.2	100	138	120	9.8
LJQ-1500	100	138	120	14.4	130	178	160	20.6

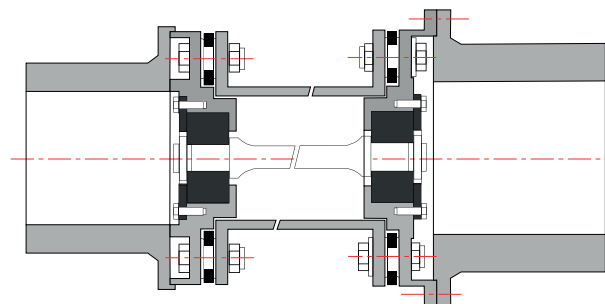
CUSTOMIZED DESIGN TO MEET SPECIFIC REQUIREMENTS



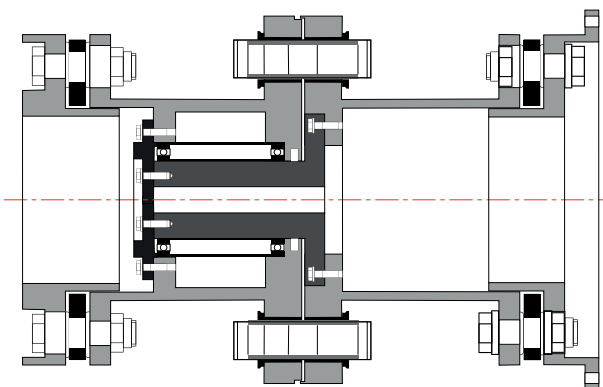
Electrically insulated



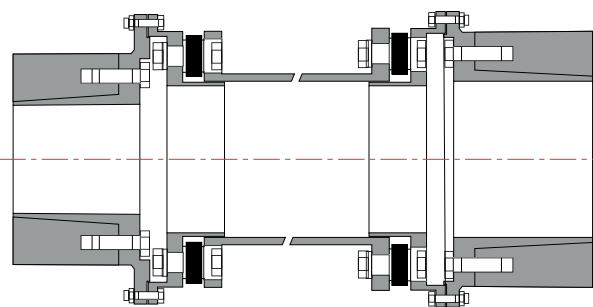
Limited end float by overload collars 2-3 mm



Limited end float by bone shaft 0 mm



Design of overload protection



Hub design with shrink connection for easy fit

Intertech B.V.
Gildenveld 19
3892 DC Zeewolde
The Netherlands

T: +31(0)36 522 5885
E: info@intertech.nl
W: www.intertech.nl