

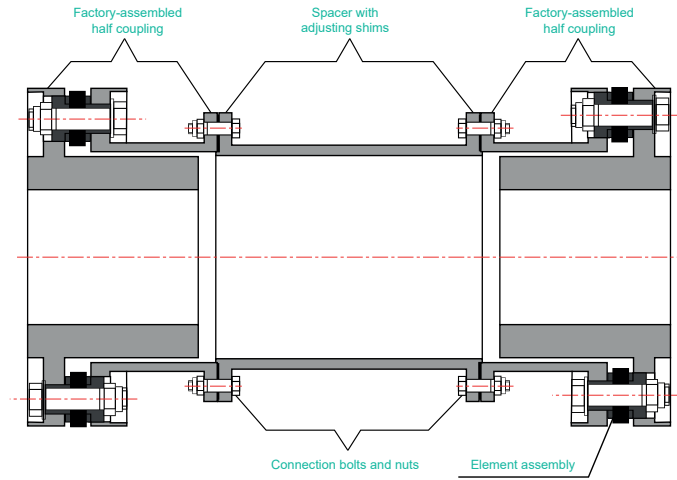
## Trumy Disc Couplings TDS series

### TDS BENEFITS

- Spacer adjusting shims design
- Suitable for high speed applications
- Small diameter due to reversed hub design
- Low bending moment / overhang mass on shaft end
- Fully meets the requirements of API 671 / ISO 10441
- Keyless interference fit between coupling hub and equipment shaft

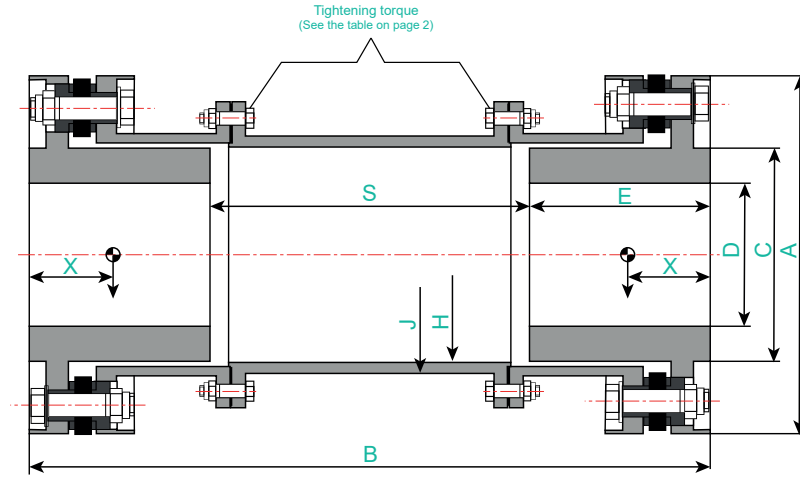
Intertech B.V.  
Gildenveld 19  
3892 DC Zeewolde  
The Netherlands

T: +31(0)36 522 5885  
E: [info@intertech.nl](mailto:info@intertech.nl)  
W: [www.intertech.nl](http://www.intertech.nl)



## TDS SERIES COUPLING TECHNICAL DATA

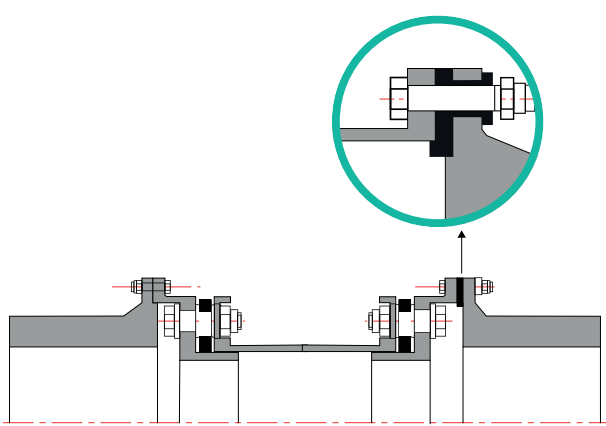
Coupling type	Torque (kNm)			Max. speed (rpm)	Tightening torque (Nm)	Total weight (Kg)	Centre of gravity (mm)	Torsional stiffness (MNm/Rad)	Moment of inertia (Kgm <sup>2</sup> )	Angular misalignment		Axial displacement	
	Rating	Max. continuous	Max. momentary							Max. degree	Restoring moment (Nm/deg)	Max. ±mm	Axial force (N)
TDS6-170	1.6	2.1	5.3	33000	15	5.3	19.8	0.163	0.008	%	200.8	1.5	872
TDS6-210	2	2.5	6.4	27000	15	7.9	22.0	0.284	0.017		114.5	1.8	751
TDS6-420	4	5.8	14.5	24300	25	10.6	25.9	0.399	0.029		221.1	2.0	1343
TDS6-660	6.3	9.8	24.6	21000	100	18.3	32.2	0.799	0.071		286.2	2.2	1847
TDS6-1100	10	11.2	28	18300	100	23.8	34.5	1.065	0.113		256.4	2.5	2180
TDS6-1500	14	18	45	16000	150	37.4	40.7	1.912	0.243		240.6	3.0	2672
TDS6-2100	20	26.4	66	14600	150	47.3	40.4	2.609	0.370		566.9	3.3	3813
TDS6-2900	28	34.1	85.3	13300	180	65	45.2	3.733	0.604		552.9	3.4	4145
TDS6-3300	32	36.6	91.4	12400	180	76.7	48.4	4.186	0.822		485.9	3.4	3834
TDS6-4700	45	51.4	129	11100	350	108.4	57.2	5.948	1.451		616.6	3.8	5110
TDS8-1300	13	16.7	41.8	18500	100	27.7	35.8	1.553	0.143	½	849.6	1.7	2068
TDS8-2900	28	35	87.5	15700	150	42.3	38.9	2.538	0.288		1665	1.9	4578
TDS8-3300	32	44.6	111	14500	180	52.1	42.7	3.178	0.420		1879	2.2	5140
TDS8-4700	45	52.2	130	12500	180	77.4	49.5	4.286	0.822		1421	2.8	5053
TDS8-6600	63	77.3	193	10900	350	123.5	61.2	7.636	1.783		2311	3.2	5949
TDS8-9011	100	108	269	10000	500	155.4	65.9	9.521	2.586		4194	3.5	9335
TDS8-9015	140	161	402	9200	700	204.1	69.0	11.762	2.648		9319	3.7	13409
TDS8-9018	170	179	447	8500	700	269.9	76.3	16.411	6.359		6401	4.0	12583
TDS8-9023	224	268	671	7600	1200	350.1	85.7	23.457	10.056		7265	4.5	14817
TDS8-9029	280	300	750	6900	1200	482.2	94.7	33.821	17.017		8441	5.0	16596
TDS8-9042	400	432	1080	6200	1900	658.9	105.6	49.075	29.375		10340	6.0	21365
TDS10-840	80	99.4	248	10900	350	133.1	60.6	8.067	1.975		¼	7768	2.3
TDS10-9013	125	125	346	10000	500	170.8	65.2	9.798	2.942	14480		2.5	9834
TDS10-9017	160	160	510	9200	700	221.5	68.8	11.762	4.477	33810		2.7	10778
TDS10-9019	180	230	576	8500	700	288.5	75.9	17.111	6.880	21870		3.5	14696
TDS10-9026	250	280	863	7600	1200	380.4	84.9	24.332	11.293	24370		4.3	20142
TDS10-9037	355	355	965	6900	1200	519.7	93.3	35.624	18.903	27010		4.5	17831
TDS10-9052	500	500	1389	6200	1900	716	104.0	51.596	32.870	33000		4.8	21706



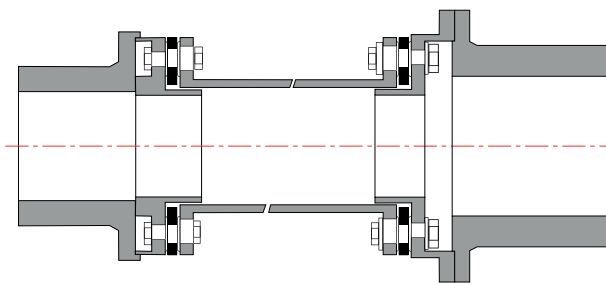
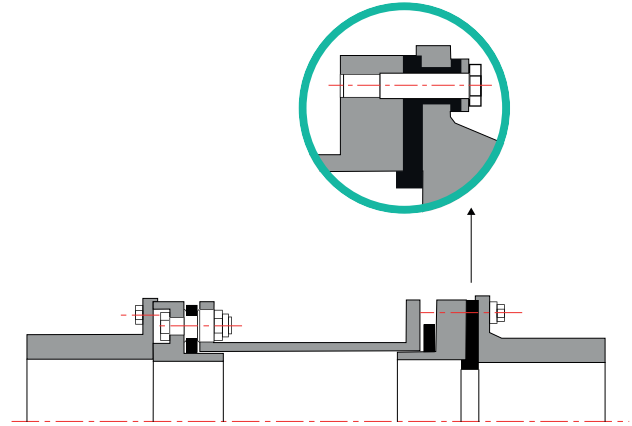
## TDS SERIES COUPLING DIMENSIONS (mm)

Type	A	B	C	D max.	E	H	J	S	
								Std	Min
TDS6-170	112	250	58	40	45	56	63	460	160
TDS6-210	133	280	77	55	60	72	79	460	160
TDS6-420	153	300	85	60	70	80	88	460	160
TDS6-660	175	330	98	70	80	95	105	460	170
TDS6-1100	198	350	115	80	90	110	120	460	170
TDS6-1500	228	380	135	95	105	130	142	460	170
TDS6-2100	252	410	147	105	115	146	158	460	180
TDS6-2900	278	460	165	115	130	160	176	460	200
TDS6-3300	300	480	179	125	140	176	190	460	200
TDS6-4700	330	540	199	140	160	199	215	460	220
TDS8-1300	202	364	124	87	97	119	130	460	170
TDS8-2900	236	390	136	95	105	130	144	460	180
TDS8-3300	256	430	150	105	115	146	160	460	200
TDS8-4700	296	510	180	127	145	176	190	460	220
TDS8-6600	340	600	215	153	175	211	228	460	250
TDS8-9011	366	620	229	160	185	225	242	500	250
TDS8-9015	398	660	236	168	190	232	252	500	280
TDS8-9018	434	740	270	190	220	262	286	500	300
TDS8-9023	484	780	298	210	240	292	318	550	300
TDS8-9029	536	860	345	240	270	337	365	550	320
TDS8-9042	598	920	385	270	300	380	410	600	320
TDS10-840	340	600	215	153	175	211	228	460	250
TDS10-9013	366	620	229	160	185	225	242	500	250
TDS10-9017	398	660	236	168	190	232	252	500	280
TDS10-9019	434	740	270	190	220	262	286	500	300
TDS10-9026	484	780	298	210	240	292	318	550	300
TDS10-9037	536	860	345	240	270	337	365	550	320
TDS10-9052	598	920	385	270	300	380	410	600	320

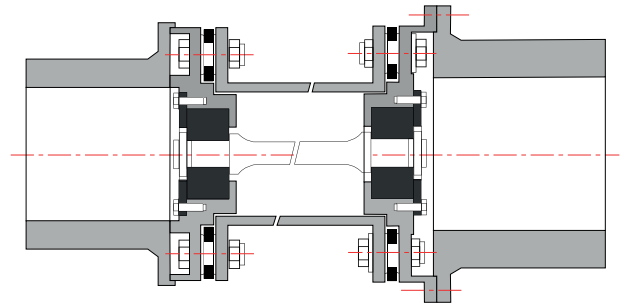
## CUSTOMIZED DESIGN TO MEET SPECIFIC REQUIREMENTS



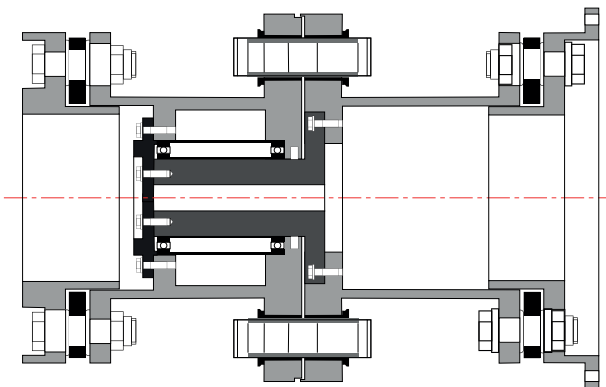
Electrically insulated



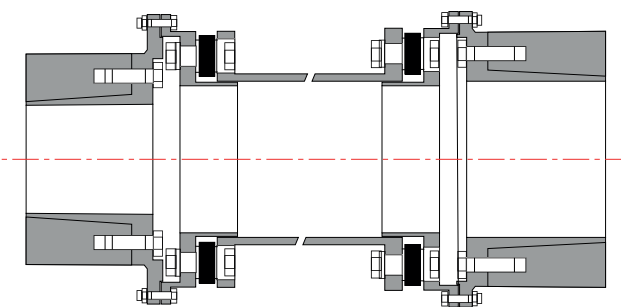
Limited end float by overload collars 2-3 mm



Limited end float by bone shaft 0 mm



Design of overload protection



Hub design with shrink connection for easy fit

Intertech B.V.  
Gildenveld 19  
3892 DC Zeewolde  
The Netherlands

T: +31(0)36 522 5885  
E: [info@intertech.nl](mailto:info@intertech.nl)  
W: [www.intertech.nl](http://www.intertech.nl)