

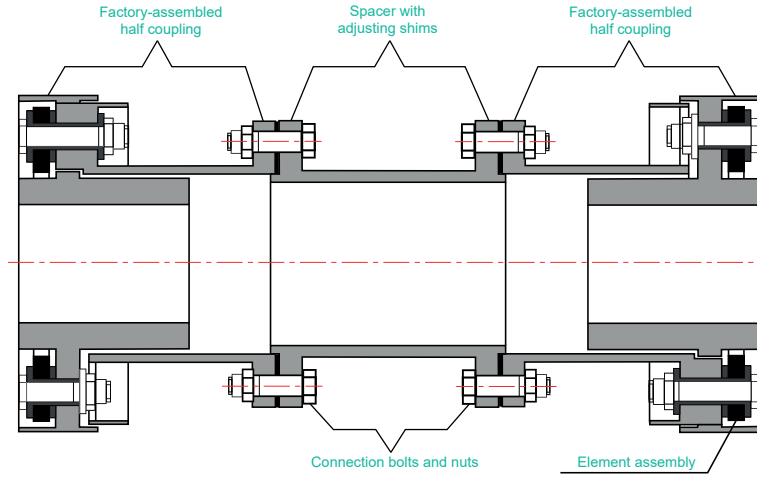
## Trumy Disc Couplings TDR series

### TDR BENEFITS

- Spacer adjusting shims design
- Suitable for high speed applications
- Interlocked flange design (co-planer)
- Small diameter due to reversed hub design
- Fully meets the requirements of API 671 / ISO 10441
- Co-planer protects drive machine from load throw-off
- Very low bending moment / overhang mass on shaft end
- Keyless interference fit between coupling hub and equipment shaft

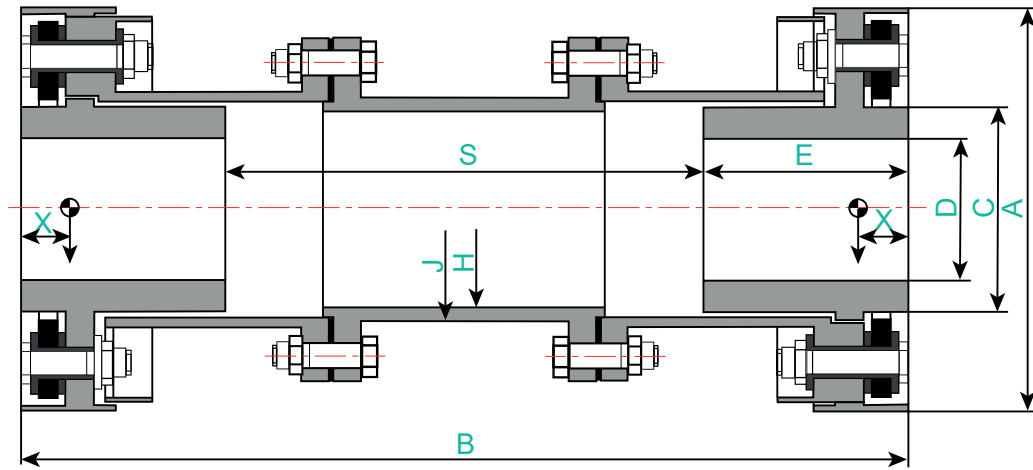
Intertech B.V.  
Gildenveld 19  
3892 DC Zeewolde  
The Netherlands

T: +31(0)36 522 5885  
E: [info@intertech.nl](mailto:info@intertech.nl)  
W: [www.intertech.nl](http://www.intertech.nl)



## TDR SERIES COUPLING TECHNICAL DATA

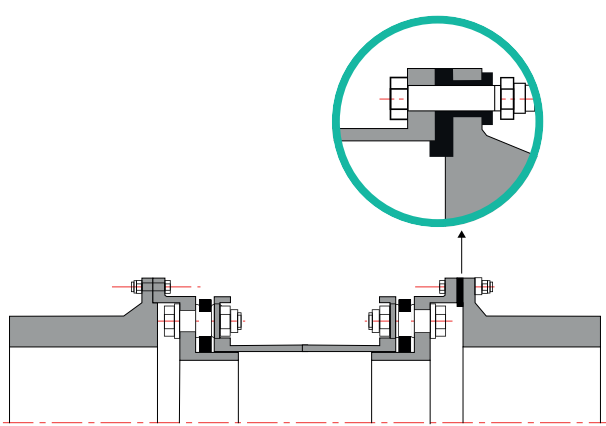
Coupling type	Torque (kNm)			Max. speed (rpm)	Tightening torque (Nm)	Total weight (Kg)	Centre of gravity (mm)	Torsional stiffness (MNm/Rad)	Moment of inertia (Kg <sup>m</sup> ²)	Angular misalignment		Axial displacement	
	Rating	Max. continuous	Max. momentary							Max. degree	Restoring moment (Nm/deg)	Max. ±mm	Axial force (N)
TDR6-170	1.6	2.1	5.3	33000	15	5	11.4	0.143	0.008	¾	200.8	1.5	873
TDR6-210	2	2.5	6.4	27000	15	8	14.8	0.251	0.018		114.5	1.8	751
TDR6-420	4	5.8	14.5	24300	25	11	18.1	0.388	0.030		221.1	2	1343
TDR6-660	6.3	9.8	24.6	21000	100	18	20.8	0.674	0.068		286.2	2.2	1847
TDR6-1100	10	11.2	28	18300	100	23	24.9	0.955	0.111		256.4	2.5	2180
TDR6-1500	14	18	45	16000	150	36	28.9	1.707	0.239		240.6	3	2672
TDR6-2100	20	26.4	66	14600	150	45	30.8	2.340	0.349		566.9	3.3	3812
TDR6-2900	28	34.1	85	13300	180	62	34.9	3.361	0.574		552.9	3.4	4144
TDR6-3300	31.5	36.6	91	12400	180	73	39.8	3.826	0.768		485.9	3.4	3834
TDR6-4700	45	51.4	129	11100	350	102	45.8	5.354	1.329		616.6	3.8	5110
TDR8-1300	12.5	16.7	42	18500	100	27	25.6	1.397	0.139	½	849.6	1.7	2068
TDR8-2900	28	35	87	15700	150	40	27.3	2.093	0.283		1665	1.9	4578
TDR8-3300	31.5	44.6	111	14500	180	51	31.8	2.687	0.409		1879	2.2	5140
TDR8-4700	45	52.2	130	12500	180	74	40.2	3.941	0.777		1421	2.8	5053
TDR8-6600	63	77.3	193	10900	350	118	49.3	6.905	1.673		2311	3.2	5949
TDR8-9011	100	108	269	10000	500	149	54.5	8.562	2.492		4194	3.5	9335
TDR8-9015	140	161	402	9200	700	185	52.7	10.385	3.578		9319	3.7	13410
TDR8-9018	170	179	447	8500	700	243	61.2	14.736	5.522		6401	4	12583
TDR8-9023	224	268	671	7600	1200	327	68.1	20.960	9.259		7265	4.5	14818
TDR8-9029	280	300	750	6900	1200	446	77.7	30.488	15.558		8441	5	16596
TDR8-9042	400	432	1080	6200	1900	608	90.3	44.376	26.355		10340	6	21365
TDR10-8400	80	99	248	10900	350	119	48.7	7.255	1.711		¼	7768	2.3
TDR10-9013	125	125	346	10000	500	150	54.0	8.785	2.513	14480		2.5	9834
TDR10-9017	160	160	510	9200	700	191	51.4	10.593	3.792	33810		2.7	10778
TDR10-9019	180	230	576	8500	700	248	60.2	15.319	5.741	21870		3.5	14696
TDR10-9026	250	280	863	7600	1200	333	67.0	21.656	9.552	24370		4.3	20142
TDR10-9037	355	355	965	6900	1200	454	76.6	31.949	16.006	27010		4.5	17831
TDR10-9052	500	500	1389	6200	1900	621	88.7	51.596	27.268	33000		4.8	21705



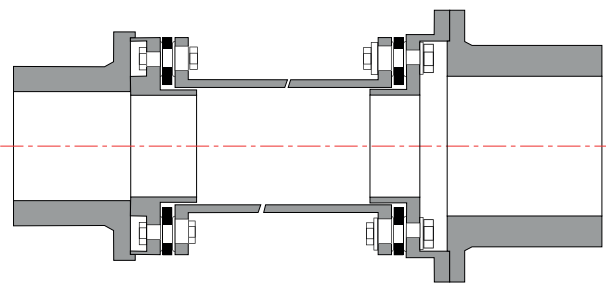
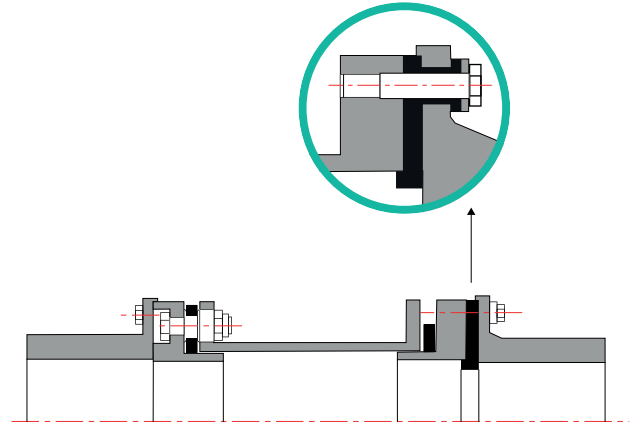
## TDR SERIES COUPLING DIMENSIONS (mm)

Type	A	B	C	D max.	E	H	J	S	
								Std	Min
TDR6-170	116	250	58	40	45	56	63	460	160
TDR6-210	138	280	77	55	60	72	79	460	160
TDR6-420	157	300	85	60	70	80	88	460	160
TDR6-660	179	330	98	70	80	95	105	460	170
TDR6-1100	206	350	115	80	90	110	120	460	170
TDR6-1500	236	380	135	95	105	130	142	460	170
TDR6-2100	260	410	147	105	115	146	158	460	180
TDR6-2900	284	460	165	115	130	160	176	460	200
TDR6-3300	305	480	179	125	140	176	190	460	200
TDR6-4700	338	540	199	140	160	199	215	460	220
TDR8-1300	206	364	124	87	97	119	130	460	170
TDR8-2900	246	390	136	95	105	130	144	460	180
TDR8-3300	261	430	150	105	115	146	160	460	200
TDR8-4700	302	510	180	127	145	176	190	460	220
TDR8-6600	345	600	215	153	175	211	228	460	250
TDR8-9011	372	620	229	160	185	225	242	500	250
TDR8-9015	408	660	236	168	190	232	252	500	280
TDR8-9018	442	740	270	190	220	262	286	500	300
TDR8-9023	492	780	298	210	240	292	318	550	300
TDR8-9029	546	860	345	240	270	337	365	550	320
TDR8-9042	606	920	385	270	300	380	410	600	320
TDR10-840	345	600	215	153	175	211	228	460	250
TDR10-9013	372	620	229	160	185	225	242	500	250
TDR10-9017	408	660	236	168	190	232	252	500	280
TDR10-9019	442	740	270	190	220	262	286	500	300
TDR10-9026	492	780	298	210	240	292	318	550	300
TDR10-9037	546	860	345	240	270	337	365	550	320
TDR10-9052	606	920	385	270	300	380	410	600	320

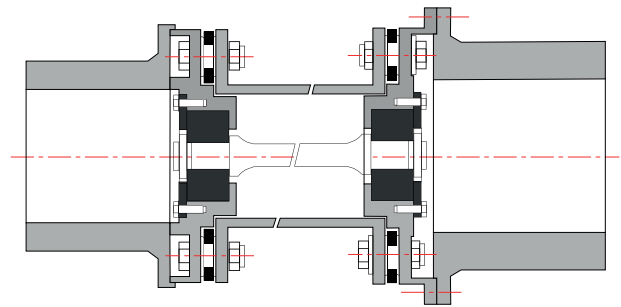
## CUSTOMIZED DESIGN TO MEET SPECIFIC REQUIREMENTS



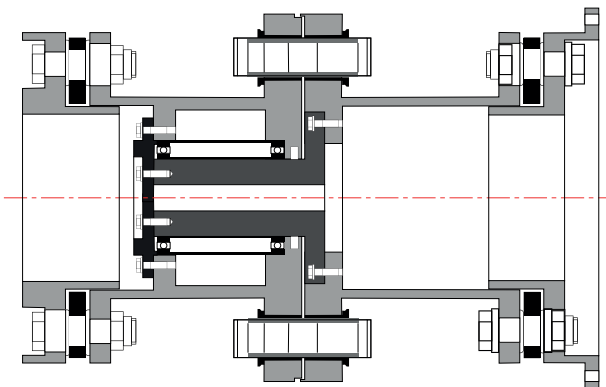
Electrically insulated



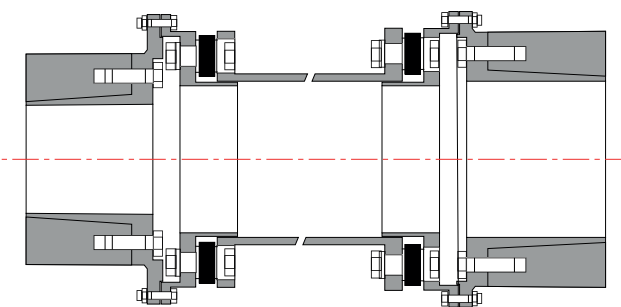
Limited end float by overload collars 2-3 mm



Limited end float by bone shaft 0 mm



Design of overload protection



Hub design with shrink connection for easy fit

Intertech B.V.  
Gildenveld 19  
3892 DC Zeewolde  
The Netherlands

T: +31(0)36 522 5885  
E: [info@intertech.nl](mailto:info@intertech.nl)  
W: [www.intertech.nl](http://www.intertech.nl)