



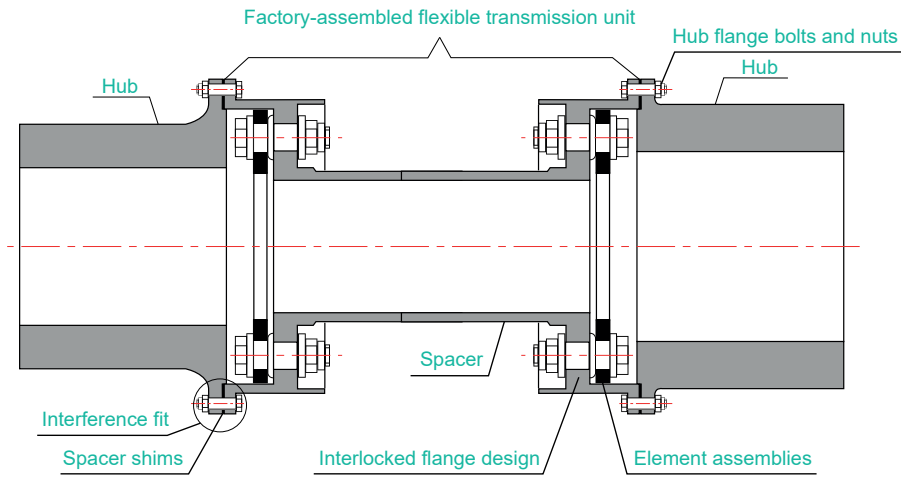
Trumy Disc Couplings TDL series

TDL BENEFITS

- Light weight, low bending moment
- Interlocked flange design (co-planer)
- Factory assembled flexible transmission unit
- Fully meets the requirements of API 671 / ISO 10441
- Co-planer protects drive machine from load throw-off
- High performance disc coupling for high speed applications

Intertech B.V.
Gildenveld 19
3892 DC Zeewolde
The Netherlands

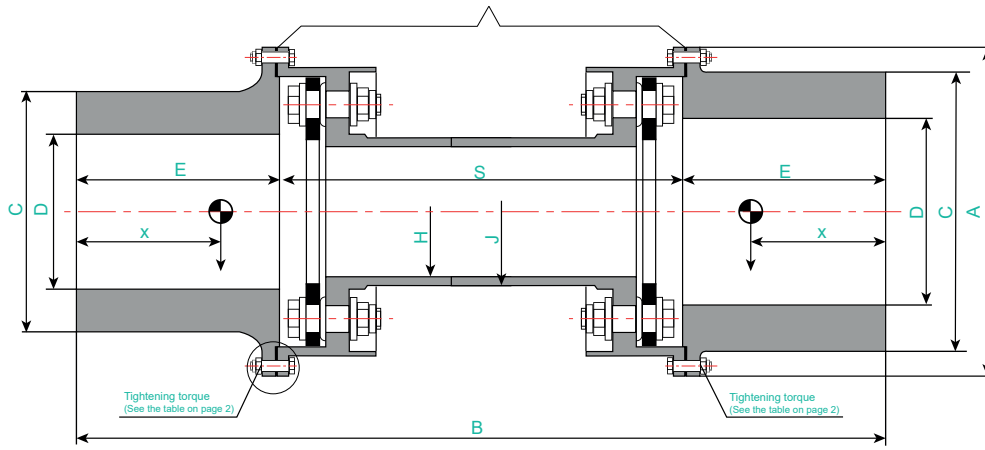
T: +31(0)36 522 5885
E: info@intertech.nl
W: www.intertech.nl



TDL SERIES COUPLING TECHNICAL DATA

Coupling type	Torque rating (kNm)			Max. speed (rpm)	Tightening torque (Nm)	Total weight (Kg)	Centre of gravity (mm)	Torsional stiffness (MNm/Rad)	Moment of inertia (Kgm ²)	Angular misalignment		Axial displacement	
	Continuous	Peak	Momentary							Max. degree	Restoring moment (Nm/deg)	Max. ±mm	Axial force (N)
TDL6-170	1.6	4	5.3	33000	8	12	61.6	0.065	0.027	¼	200.8	1.8	1160
TDL6-210	2	4.8	6.4	27000	8	20	70.6	0.104	0.062		114.5	2	1040
TDL6-420	4	10.9	14.5	24300	8	28	79.2	0.179	0.118		221.1	2	1640
TDL6-660	6.3	18.5	24.6	21000	8	44	90.1	0.331	0.26		286.2	2.5	2490
TDL6-1100	10	21.1	28	18500	8	57	98.7	0.409	0.42		256.4	2.5	2950
TDL6-1500	14	33.8	45	16000	15	90	113.8	0.720	0.89		240.6	3.5	4270
TDL6-2100	20	49.6	66	14600	15	110	123.5	1.095	1.29		566.9	3.5	5020
TDL6-2900	28	64.1	85.3	13300	15	145	132.5	1.479	2.03		552.9	4	6700
TDL6-3300	31.5	68.7	91.4	12500	45	190	143.3	1.577	3.31		485.9	4	6440
TDL6-4700	45	97	129	11100	45	256	157.3	2.550	5.34		616.6	4.5	8230
TDL6-7400	71	142	189	10000	45	330	174.7	4.209	8.17		1818	5.5	12550
TDL6-9011	100	212	283	9200	45	455	195.1	6.081	13.44		1681	6	17750
TDL6-9013	125	237	315	8500	45	554	205.1	6.609	19.48		1940	6	17380
TDL6-9017	160	355	472	7600	100	777	227.1	8.981	33.92	2172	7.5	22460	
TDL6-9021	200	396	527	6900	100	967	242.6	11.370	44.05	2027	8	23260	
TDL8-840	8	15.5	20.6	24300	8	30	81.9	0.318	0.13	¼	964	1.2	2660
TDL8-1100	10	26.3	35	21000	8	46	92.8	0.544	0.26		1522	1.8	3870
TDL8-1300	12.5	31.4	41.8	18500	8	59	100.1	0.804	0.43		849.6	2.2	3850
TDL8-2900	28	65.8	87.5	15700	15	102	119.4	1.536	1.07		1665	2.2	7060
TDL8-3300	31.5	83.5	111	14600	15	127	130.1	2.178	1.54		1879	2.8	8710
TDL8-4700	45	97.7	130	12500	45	185	141.2	2.694	3.10		1421	2.8	8500
TDL8-6600	63	145	193	10900	45	273	159.7	4.639	6.01		2311	3.4	10200
TDL8-9011	100	202	269	10000	45	334	175.9	7.458	8.23		4194	4	17150
TDL8-9015	140	302	402	9200	45	457	195.5	10.555	13.56		9319	4.2	23550
TDL8-9018	180	336	447	8500	45	559	206.6	12.167	19.65		6401	4.4	24510
TDL8-9023	224	505	671	7600	100	783	228.1	17.890	34.24		7265	5.2	29250
TDL8-9029	280	564	750	6900	100	980	245.0	22.558	50.83		8441	5.7	30740
TDL8-9047	450	844	1123	6200	100	1377	272.6	33.758	90.28		10340	6.8	42450
TDL10-6600	63	126	168	12500	45	193	145.1	4.669	3.18	1/5	8674	2.3	12910
TDL10-8400	80	186	248	10900	45	277	161.1	6.888	6.10		7768	2.8	14000
TDL10-9013	125	260	346	10000	45	342	178.3	10.470	8.41		14480	3	21290
TDL10-9017	160	389	518	9200	45	472	199.6	14.282	13.76		33810	3.1	26770
TDL10-9019	180	433	576	8500	45	566	208.2	19.861	17.47		21870	4	29530
TDL10-9026	250	649	863	7600	100	796	230.7	26.008	34.65		24370	4.3	35960
TDL10-9037	355	726	965	6900	100	987	246.1	34.048	51.28		27010	4.6	41260
TDL10-9058	560	1086	1445	6200	100	1394	277.7	51.785	91.26		33000	5.6	57480

Factory-assembled flexible unit, No disassembling



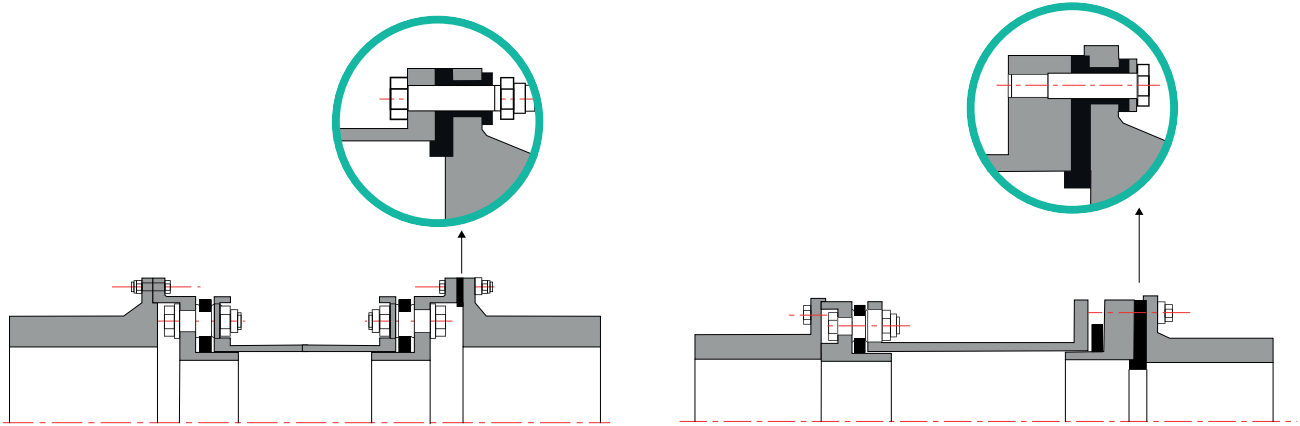
TDL SERIES COUPLING DIMENSIONS (mm)

Type	A	B	C max.	D max.	E	H	J	S (mm)	
								Std	Min
TDL6-170	147	270	105	70	75	54	61	460	120
TDL6-210	172	300	127	85	90	70	79	460	120
TDL6-420	192	340	150	100	105	79	88	460	130
TDL6-660	217	410	180	120	125	90	99	460	160
TDL6-1100	242	440	200	135	140	108	118	460	160
TDL6-1500	279	525	232	155	165	128	139	460	195
TDL6-2100	303	545	250	170	180	142	154	460	185
TDL6-2900	323	590	277	185	195	155	169	460	200
TDL6-3300	363	640	305	205	215	170	184	460	210
TDL6-4700	394	720	337	225	235	191	208	460	250
TDL6-7400	430	780	365	245	255	214	234	500	270
TDL6-9011	464	885	405	270	290	218	242	500	305
TDL6-9013	498	935	440	295	315	256	278	500	305
TDL6-9017	563	1020	490	325	345	278	305	550	330
TDL6-9021	614	1080	532	355	375	322	352	550	330

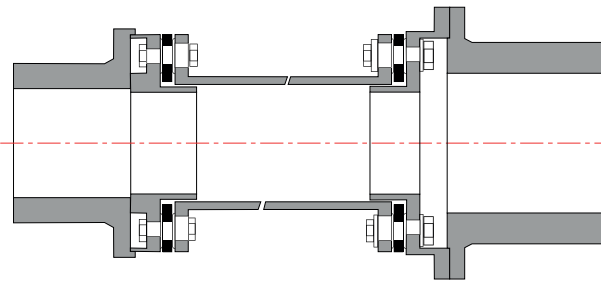
TDL8-840	194	340	150	100	105	76	88	460	130
TDL8-1100	217	410	180	120	125	86	99	460	160
TDL8-1300	242	530	200	135	140	114	126	460	250
TDL8-2900	290	610	240	160	170	126	141	460	270
TDL8-3300	305	675	260	175	185	134	151	460	305
TDL8-4700	357	725	300	200	210	171	185	460	305
TDL8-6600	404	730	345	230	240	206	223	460	250
TDL8-9011	430	780	365	245	255	214	234	500	270
TDL8-9015	464	885	405	270	290	218	242	500	305
TDL8-9018	498	935	440	295	315	254	278	500	305
TDL8-9023	563	1020	490	325	345	278	305	550	330
TDL8-9029	614	1080	532	355	375	322	352	550	330
TDL8-9047	679	1225	600	400	420	359	393	600	385

TDL10-6600	357	725	300	200	210	163	185	460	305
TDL10-8400	404	730	345	230	240	206	223	460	250
TDL10-9013	430	780	365	245	255	210	234	500	270
TDL10-9017	464	885	405	270	290	211	242	500	305
TDL10-9019	498	935	440	295	315	254	278	500	305
TDL10-9026	563	1020	490	325	345	274	305	550	330
TDL10-9037	614	1070	535	355	375	322	352	550	330
TDL10-9058	679	1225	600	400	420	357	393	600	385

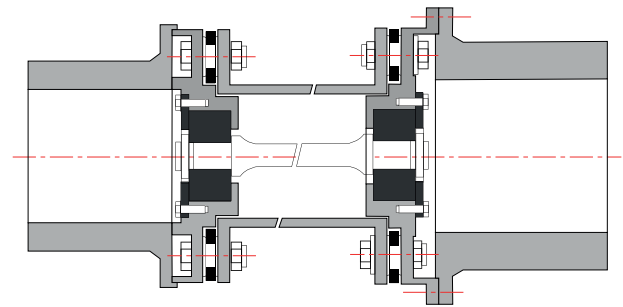
CUSTOMIZED DESIGN TO MEET SPECIFIC REQUIREMENTS



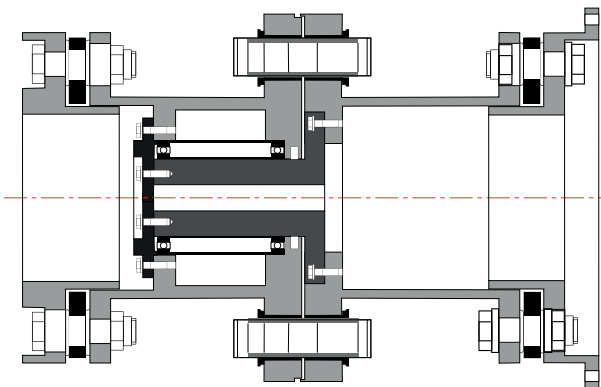
Electrically insulated



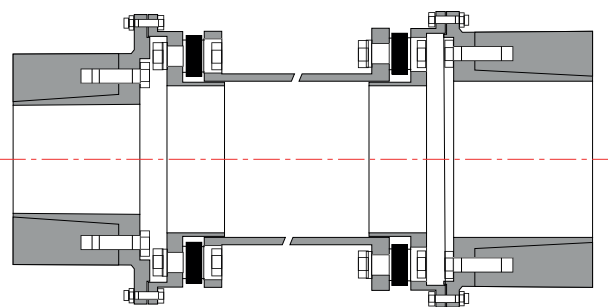
Limited end float by overload collars 2-3 mm



Limited end float by bone shaft 0 mm



Design of overload protection



Hub design with shrink connection for easy fit

Intertech B.V.
Gildenveld 19
3892 DC Zeewolde
The Netherlands

T: +31(0)36 522 5885
E: info@intertech.nl
W: www.intertech.nl