

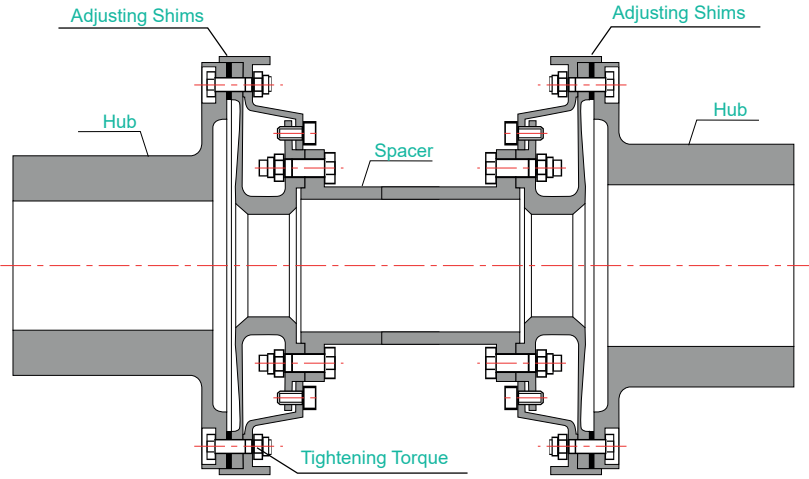
## Trumy Diaphragm Couplings HM series

### HM BENEFITS

- Easy to install
- Single diaphragm flexible coupling
- Factory assembled transmission unit
- Allows angular misalignment up to  $1/3^\circ$
- High strength stainless steel diaphragms
- Shims supplied to adjust the axial mounting gap
- Big hub design to suit big diameter shaft applications

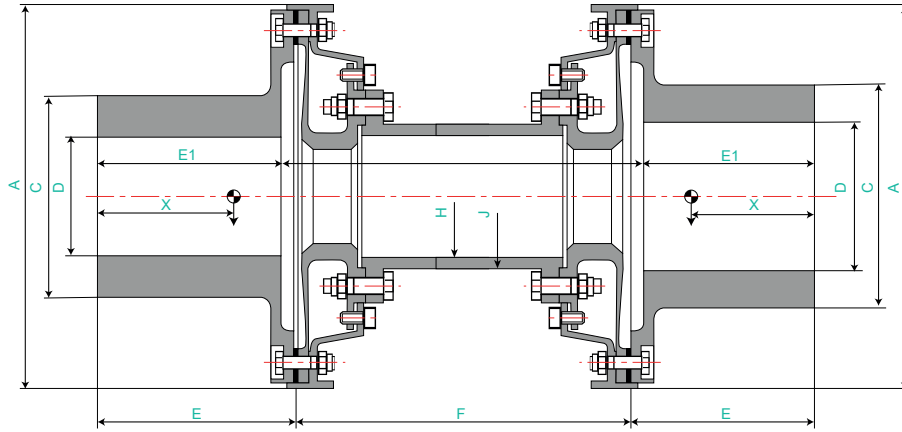
Intertech B.V.  
Gildenveld 19  
3892 DC Zeewolde  
The Netherlands

T: +31(0)36 522 5885  
E: [info@intertech.nl](mailto:info@intertech.nl)  
W: [www.intertech.nl](http://www.intertech.nl)



## HM SERIES COUPLING TECHNICAL DATA

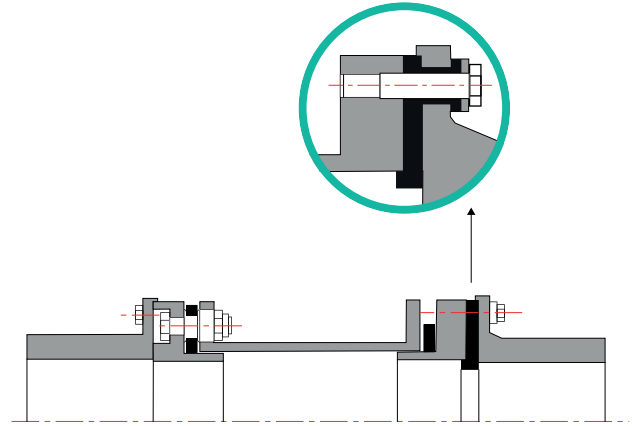
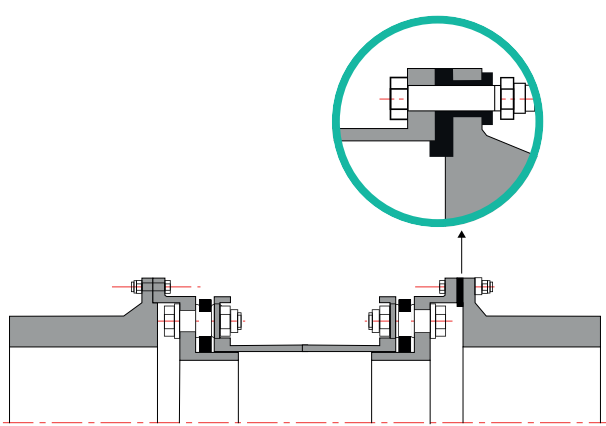
Coupling type	Torque rating (kNm)			Max. speed (rpm)	Tightening torque (Nm)	Total weight (Kg)	Centre of gravity (mm)	Torsional stiffness (MNm/Rad)	Moment of inertia (Kgm <sup>2</sup> )	Angular misalignment		Axial displacement	
	Continuous	Peak	Momentary							Max. degree	Restoring moment (Nm/deg)	Max. ±mm	Axial force (N)
HM308	0.28	0.37	0.49	60000	5	2.5	30.6	0.003	0.002	1/3	0.09	0.8	134
HM310	0.63	0.84	1.11	46000	5	5	34.7	0.012	0.005		0.27	1.0	275
HM315	2.24	2.98	3.96	33000	8	12	48.9	0.053	0.029		0.78	1.6	570
HM317	4.5	5.98	7.96	28000	8	20	63.7	0.129	0.069		1.62	2.0	966
HM322	10	13.3	17.7	22000	15	45	77.0	0.340	0.284		3.68	2.6	1617
HM327	20	26.6	35.3	18000	15	81	96.1	0.843	0.764		8.21	3.3	3001
HM332	35.5	47.2	62.8	16000	15	141	117.1	1.646	1.975		14.40	4.0	4258
HM337	50	66.5	88.5	14000	25	204	130.3	2.498	3.684		18.08	4.4	4572
HM342	80	106	142	12000	25	321	150.7	4.302	7.897		29.79	5.2	6599
HM347	112	148	198	11000	45	433	167.2	6.607	13.476		43.11	5.8	8494
HM356	200	266	353	9000	45	752	200.7	13.242	34.393		80.25	7.0	13170
HM366	224	298	394	6500	45	1256	245.9	16.933	78.912		84.4	7.7	11250
HM382	450	598	792	5200	100	2357	296.2	33.911	228.480		164.39	9.7	17770
HM399	800	1060	1400	4000	180	4218	358.7	67.637	615.118		327.27	11.9	28990
HM3115	1400	1860	3270	3600	350	6430	418.5	123.89	1252.05		571.87	14.0	43750
HM408	0.35	0.46	0.62	60000	5	2.5	30.6	0.004	0.002	1/4	0.18	0.6	195
HM410	0.8	1.06	1.42	46000	5	5	36.1	0.013	0.005		0.44	0.8	362
HM415	2.8	3.72	4.95	33000	8	13	50.3	0.063	0.029		1.48	1.3	865
HM417	5.6	7.45	9.91	28000	8	22	65.6	0.158	0.070		3.07	1.6	1448
HM422	12.5	16.6	22.1	22000	15	46	78.6	0.398	0.286		6.51	2.1	2315
HM427	25	33.2	44.2	18000	15	83	97.9	1.001	0.769		16.38	2.6	4736
HM432	45	59.8	79.6	16000	15	144	119.2	1.971	1.802		26.42	3.2	6254
HM437	63	83.8	111	14000	25	206	131.6	2.887	3.697		34.08	3.6	7105
HM442	100	133	177	12000	25	326	152.7	5.122	7.926		56.47	4.2	10040
HM447	140	186	248	11000	45	437	168.6	7.658	13.513		83.38	4.7	13399
HM456	250	332	442	9000	45	756	201.8	15.319	34.469		108.30	5.7	15382
HM466	280	372	493	6500	45	1257	245.3	19.414	78.831		153.99	6.2	16310
HM482	560	745	986	5200	100	2372	297.9	40.371	229.394		320.63	7.8	27980
HM499	1120	1330	1970	4000	180	4240	360.5	80.385	616.711		595.88	9.6	42680
HM4115	1800	2390	3180	3600	350	6429	418.4	146.801	1.252.767		1080.37	11.2	66220
HM508	0.5	0.66	0.88	60000	5	2.8	32.3	0.005	0.002	1/5	0.51	0.4	361
HM510	1.12	1.49	1.98	46000	5	5	37.9	0.016	0.006		1.31	0.6	789
HM515	4	5.32	7.08	33000	8	13	52.6	0.080	0.029		4.33	0.9	1727
HM517	8	10.6	14.2	28000	8	22	66.0	0.170	0.070		9.14	1.1	2926
HM522	18	23.9	31.8	22000	15	47	80.0	0.470	0.287		19.16	1.4	4552
HM527	35.5	47.2	62.8	18000	15	84	98.8	1.147	0.771		45.75	1.8	8996
HM532	63	83.8	111	16000	15	145	120.3	2.313	1.995		75.39	2.2	12012
HM537	90	119	159	14000	25	208	133	3.442	3.709		89.52	2.4	12108
HM542	140	186	248	12000	25	329	154	6.006	7.943		159.60	2.8	18720
HM547	200	266	353	11000	45	441	169.9	9.185	13.547		221.90	3.2	23970
HM556	355	472	628	9000	45	761	202.9	18.500	34.540		407.90	3.9	36250
HM566	400	532	704	6500	45	1267	247	23.130	79.168		414.49	4.2	29430
HM582	800	1060	1400	5200	100	2389	299.7	48.653	230.405		911.20	5.3	53280
HM599	1600	2130	2820	4000	180	4272	362.8	99.673	619.485		1675.74	6.5	80140
HM5115	2500	3330	4400	3600	350	6442	419.2	184.017	1.255.601		2856.49	7.7	118800



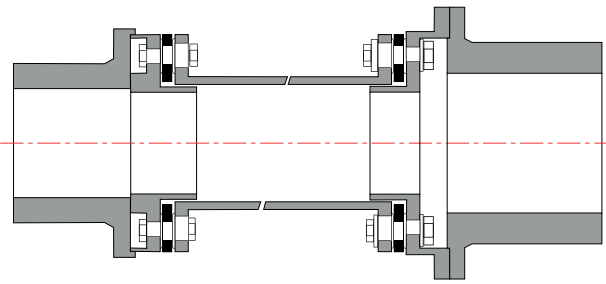
## HM SERIES COUPLING DIMENSIONS (mm)

Coupling type	A	C max	D max	E1	E	F		H	J
						Standard	Minimum		
HM308	87	60	40	45	50	460	80	18	24
HM310	112	80	50	55	60	460	96	31	36
HM315	159	115	75	80	87	460	112	48	55
HM317	185	140	95	105	112	460	128	58	68
HM322	237	190	125	135	142	460	160	81	92
HM327	284	234	155	170	177	460	180	104	118
HM332	335	285	190	210	217	460	220	135	149
HM337	379	325	215	235	242	460	250	148	165
HM342	436	380	250	275	282	460	275	158	181
HM347	484	423	280	310	317	460	310	200	221
HM356	575	512	340	375	382	460	360	260	282
HM366	670	600	400	440	452	660	360	270	296
HM382	832	745	490	540	552	820	360	376	402
HM399	1009	910	600	660	672	820	360	458	487
HM3115	1164	1050	700	770	782	820	360	606	633
HM408	87	60	40	45	50	460	80	18	24
HM410	112	80	50	55	60	460	96	31	36
HM415	159	115	75	80	87	460	112	46	55
HM417	185	140	95	105	112	460	128	54	68
HM422	237	190	125	135	142	460	160	78	92
HM427	284	234	155	170	177	460	180	100	118
HM432	335	285	190	210	217	460	220	130	149
HM437	379	325	215	235	242	460	250	144	165
HM442	436	380	250	275	282	460	275	150	181
HM447	484	423	280	310	317	460	310	195	221
HM456	575	512	340	375	382	460	360	255	282
HM466	670	600	400	440	452	660	360	266	296
HM482	832	745	490	540	552	820	360	370	402
HM499	1009	910	600	660	672	820	360	450	487
HM4115	1164	1050	700	770	782	820	360	600	633
HM508	87	60	40	45	50	460	80	15	24
HM510	112	80	50	55	60	460	96	27	36
HM515	159	115	75	80	87	460	112	42	55
HM517	185	140	95	105	112	460	128	54	68
HM522	237	190	125	135	142	460	160	75	92
HM527	284	234	155	170	177	460	180	98	118
HM532	335	285	190	210	217	460	220	127	149
HM537	379	325	215	235	242	460	250	140	165
HM542	436	380	250	275	282	460	275	145	181
HM547	484	423	280	310	317	460	310	190	221
HM556	575	512	340	375	382	460	360	250	282
HM566	670	600	400	440	452	660	360	262	296
HM582	832	745	490	540	552	820	360	366	402
HM599	1009	910	600	660	672	820	360	442	487
HM5115	1164	1050	700	770	782	820	360	592	633

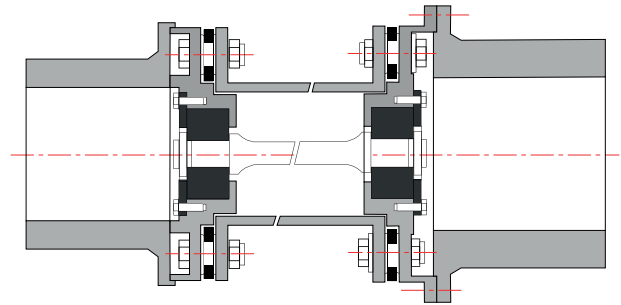
## CUSTOMIZED DESIGN TO MEET SPECIFIC REQUIREMENTS



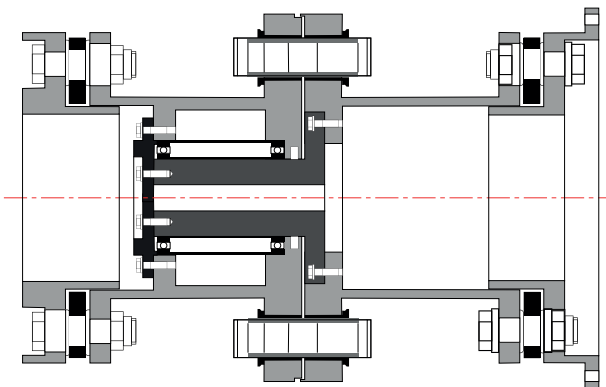
Electrically insulated



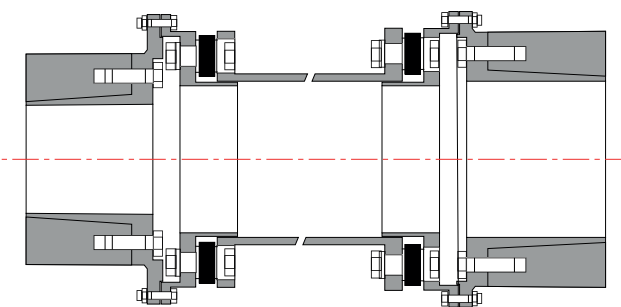
Limited end float by overload collars 2-3 mm



Limited end float by bone shaft 0 mm



Design of overload protection



Hub design with shrink connection for easy fit

Intertech B.V.  
Gildenveld 19  
3892 DC Zeewolde  
The Netherlands

T: +31(0)36 522 5885  
E: [info@intertech.nl](mailto:info@intertech.nl)  
W: [www.intertech.nl](http://www.intertech.nl)