

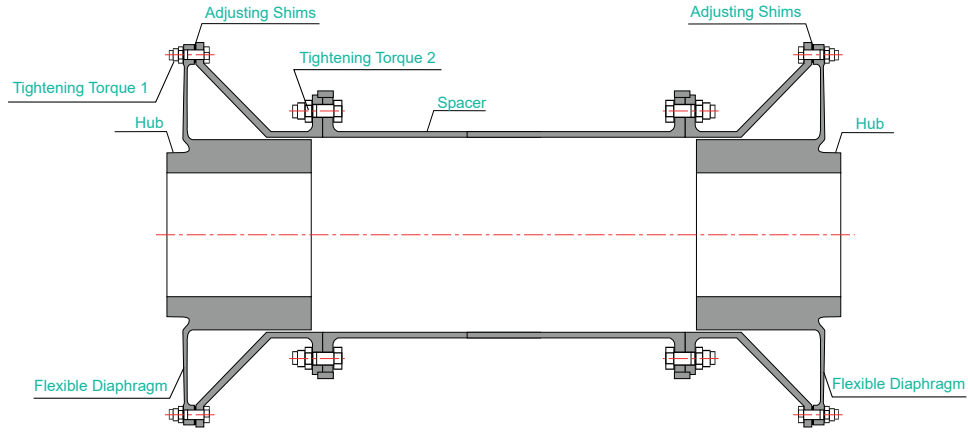
## Trumy Diaphragm Couplings DM series

### DM BENEFITS

- Very low overhung mass
- Very small bending moment
- Single diaphragm flexible coupling
- Allows angular misalignment up to  $1/3^\circ$
- High strength stainless steel diaphragms
- Shims supplied to adjust the axial mounting gap
- Suitable for high and super-high speed applications
- Flexible element and half coupling hub integrated as a whole

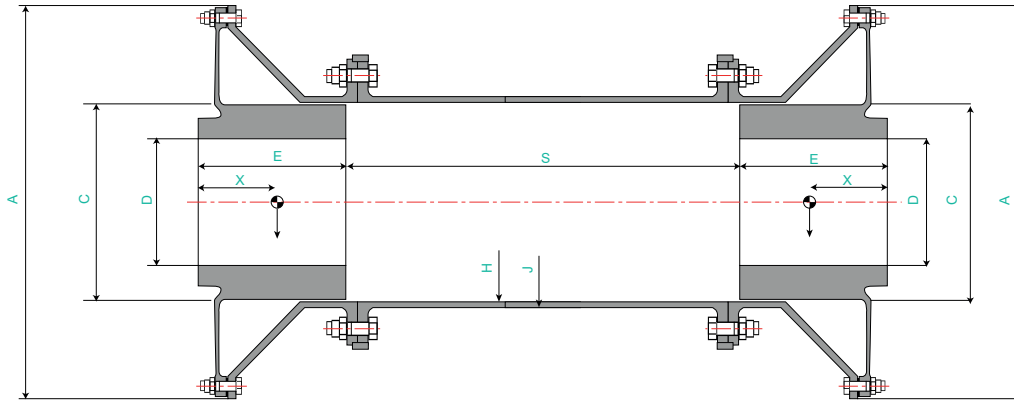
Intertech B.V.  
Gildenveld 19  
3892 DC Zeewolde  
The Netherlands

T: +31(0)36 522 5885  
E: [info@intertech.nl](mailto:info@intertech.nl)  
W: [www.intertech.nl](http://www.intertech.nl)



## DM SERIES COUPLING TECHNICAL DATA

| Coupling type | Torque rating (kNm) |      |           | Max. speed (rpm) | Tightening torque 1/2 (Nm) | Total weight (Kg) | Centre of gravity (mm) | Torsional stiffness (MNm/Rad) | Moment of inertia (Kgm <sup>2</sup> ) | Angular misalignment |                            | Axial displacement |                 |
|---------------|---------------------|------|-----------|------------------|----------------------------|-------------------|------------------------|-------------------------------|---------------------------------------|----------------------|----------------------------|--------------------|-----------------|
|               | Continuous          | Peak | Momentary |                  |                            |                   |                        |                               |                                       | Max. degree          | Restoring moment (KNm/rad) | Max. ±mm           | Axial force (N) |
| DM315         | 2                   | 2.66 | 3.54      | 33000            | 8/8                        | 7                 | 14.9                   | 0.112                         | 0.014                                 | 1/3                  | 1.39                       | 1.4                | 694             |
| DM317         | 4                   | 5.32 | 7.07      | 28000            | 8/15                       | 10                | 17.1                   | 0.185                         | 0.026                                 |                      | 2.57                       | 1.7                | 1102            |
| DM322         | 9                   | 12   | 16        | 22000            | 15/25                      | 20                | 21.3                   | 0.512                         | 0.085                                 |                      | 5.57                       | 2.3                | 1878            |
| DM327         | 18                  | 23.9 | 31.8      | 18000            | 15/45                      | 34                | 27.0                   | 1.017                         | 0.227                                 |                      | 19.90                      | 2.7                | 5821            |
| DM332         | 31.5                | 41.9 | 55.7      | 16000            | 15/100                     | 54                | 33.6                   | 2.049                         | 0.498                                 |                      | 21.78                      | 3.5                | 4968            |
| DM337         | 45                  | 59.8 | 79.6      | 14000            | 25/100                     | 79                | 41.7                   | 3.126                         | 0.920                                 |                      | 28.45                      | 3.8                | 5438            |
| DM342         | 71                  | 94.4 | 126       | 12000            | 25/150                     | 114               | 45.9                   | 4.874                         | 1.793                                 |                      | 43.68                      | 4.5                | 7622            |
| DM347         | 100                 | 133  | 177       | 11000            | 45/150                     | 154               | 54.0                   | 7.032                         | 3.001                                 |                      | 68.43                      | 5.0                | 10600           |
| DM356         | 180                 | 239  | 318       | 9000             | 45/180                     | 268               | 71.6                   | 13.487                        | 6.719                                 |                      | 112.88                     | 6.1                | 14710           |
| DM415         | 2.5                 | 3.33 | 4.42      | 33000            | 8/8                        | 7                 | 14.9                   | 0.116                         | 0.014                                 | 1/4                  | 2.49                       | 1.2                | 1054            |
| DM417         | 5.7                 | 6.65 | 8.84      | 28000            | 8/15                       | 10                | 17.1                   | 0.192                         | 0.026                                 |                      | 4.96                       | 1.5                | 1907            |
| DM422         | 11.2                | 14.9 | 19.8      | 22000            | 15/25                      | 20                | 21.3                   | 0.533                         | 0.085                                 |                      | 9.82                       | 2.0                | 2894            |
| DM427         | 22.4                | 29.8 | 39.6      | 18000            | 15/45                      | 34                | 27.0                   | 0.999                         | 0.227                                 |                      | 25.21                      | 2.4                | 5909            |
| DM432         | 40                  | 53.2 | 70.7      | 16000            | 15/100                     | 54                | 33.6                   | 2.149                         | 0.498                                 |                      | 37.17                      | 2.9                | 7261            |
| DM437         | 56                  | 74.5 | 99.1      | 14000            | 25/100                     | 79                | 41.7                   | 3.290                         | 0.920                                 |                      | 51.13                      | 3.3                | 8520            |
| DM442         | 90                  | 120  | 159       | 12000            | 25/150                     | 114               | 45.9                   | 5.175                         | 1.793                                 |                      | 82.69                      | 3.7                | 11760           |
| DM447         | 125                 | 166  | 221       | 11000            | 45/150                     | 154               | 54.0                   | 7.462                         | 3.001                                 |                      | 117.39                     | 4.2                | 15350           |
| DM456         | 224                 | 299  | 396       | 9000             | 45/180                     | 268               | 71.6                   | 14.345                        | 6.719                                 |                      | 210.09                     | 5.2                | 23260           |

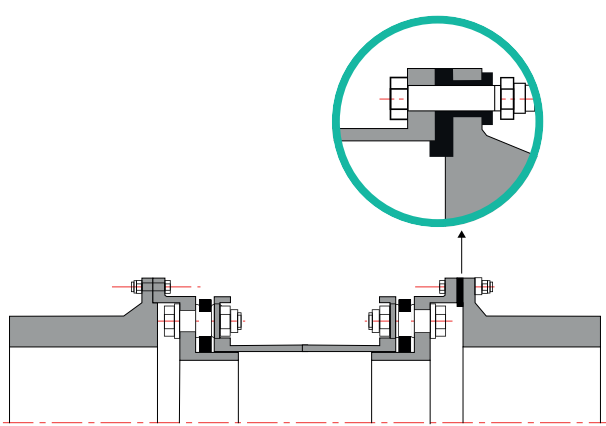


## DM SERIES COUPLING DIMENSIONS (mm)

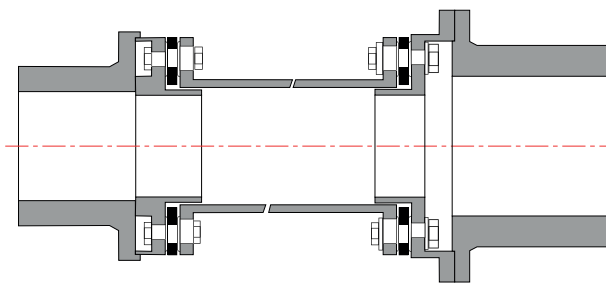
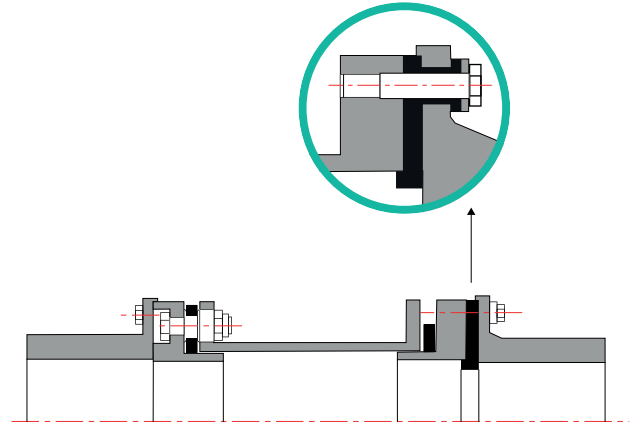
| Type  | A   | C max | D max | E   | H   | J   | S   |     |
|-------|-----|-------|-------|-----|-----|-----|-----|-----|
|       |     |       |       |     |     |     | Std | Min |
| DM315 | 155 | 70    | 45    | 50  | 73  | 79  | 460 | 50  |
| DM317 | 181 | 84    | 55    | 60  | 87  | 93  | 460 | 50  |
| DM322 | 233 | 108   | 70    | 80  | 112 | 121 | 460 | 70  |
| DM327 | 280 | 137   | 90    | 100 | 141 | 150 | 460 | 95  |
| DM332 | 332 | 162   | 105   | 115 | 167 | 180 | 460 | 100 |
| DM337 | 376 | 191   | 125   | 140 | 196 | 210 | 460 | 120 |
| DM342 | 433 | 214   | 140   | 160 | 219 | 236 | 460 | 120 |
| DM347 | 481 | 237   | 155   | 180 | 243 | 262 | 460 | 130 |
| DM356 | 571 | 290   | 190   | 220 | 296 | 319 | 460 | 150 |

|       |     |     |     |     |     |     |     |     |
|-------|-----|-----|-----|-----|-----|-----|-----|-----|
| DM415 | 155 | 70  | 45  | 50  | 73  | 79  | 460 | 50  |
| DM417 | 181 | 84  | 55  | 60  | 87  | 93  | 460 | 50  |
| DM422 | 233 | 108 | 70  | 80  | 112 | 121 | 460 | 70  |
| DM427 | 280 | 137 | 90  | 100 | 141 | 150 | 460 | 95  |
| DM432 | 332 | 162 | 105 | 115 | 167 | 180 | 460 | 100 |
| DM437 | 376 | 191 | 125 | 140 | 196 | 210 | 460 | 120 |
| DM442 | 433 | 214 | 140 | 160 | 219 | 236 | 460 | 120 |
| DM447 | 481 | 237 | 155 | 180 | 243 | 262 | 460 | 130 |
| DM456 | 571 | 290 | 190 | 220 | 296 | 319 | 460 | 150 |

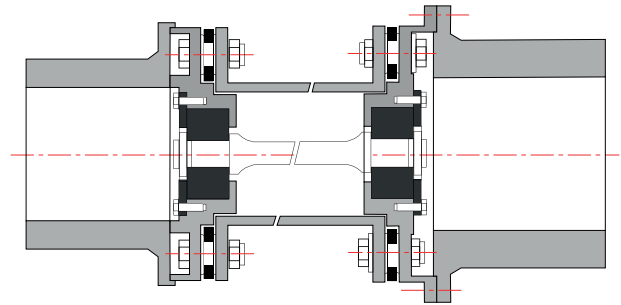
## CUSTOMIZED DESIGN TO MEET SPECIFIC REQUIREMENTS



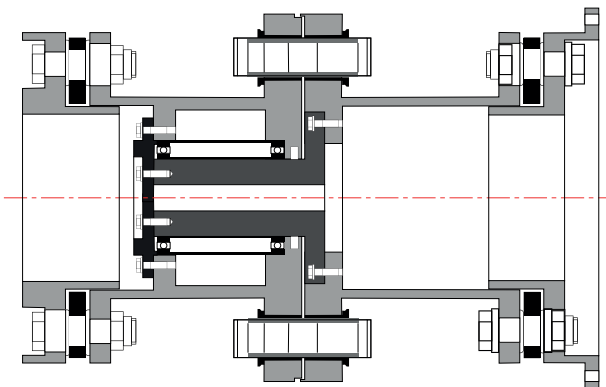
Electrically insulated



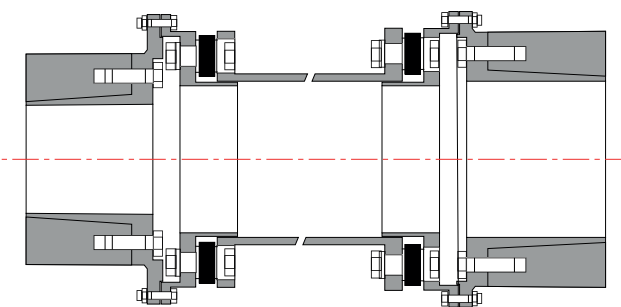
Limited end float by overload collars 2-3 mm



Limited end float by bone shaft 0 mm



Design of overload protection



Hub design with shrink connection for easy fit

Intertech B.V.  
Gildenveld 19  
3892 DC Zeewolde  
The Netherlands

T: +31(0)36 522 5885  
E: [info@intertech.nl](mailto:info@intertech.nl)  
W: [www.intertech.nl](http://www.intertech.nl)